

P5 Series Universal Pressure Sensor

5", 10", and 25" versions with four selectable sub-ranges
 1250, 2500, 6250 Pa versions with four selectable sub-ranges
 Optional LCD display and LED indicator
 Dual 0-5/10VDC, 4-20mA (loop and 3-wire)

NEW!



Versatile probe for duct or remote mount included. Save on probe expense.

DESCRIPTION

The P5 universal dry media pressure transmitter accurately measures multiple ranges optimized for building (zone) pressure, filter measurement, and static duct applications. Selectable outputs and uni/bi directional readings reduce inventory. Innovative static probe integrates with unit or can be mouted remotely for static pressure. Optional LCD for panel mount readings and set up.

APPLICATIONS

- Building (zone) pressure
- Filter condition measurement
- Duct/static

PATENT PENDING

FEATURES

Reduce inventory and ordering errors with universal unit

- Selectable 4-20 mA loop powered, 4-20 mA 3-wire, 0-5VDC, 0-10VDC for compatibility
- Zero calibration push button and remote contact input
- Designed for duct, filter, and remote probe applications in a single universal unit
- Probe is compatible with both 1/8" and 1/4" ID hose

Time & money saving installation for contractors and OEMs

- Non-position sensitive for easy placement
- Dual DIN mount: Side mount for high density OEM applications, flat panel mount for LCD viewable panel mount.
- Conduit ready for for 3/8" flex connectors
- Post mountable with mounting tab indents and wire ties

LED visual status indications of operation

- LED: Power heartbeat, momentary rapid flash = auto-zero complete, continual rapid flash = 110% over pressure
- LED facilitates locating sensor in ductwork



Conduit ready...no additional parts to buy

Integrated high density mount or flat mount saves valuable panel space.



7 year limited warranty

ORDERING



Pressure Range

- 0500 = 0-5" w.c. (w/subranges)
- 1000 = 0-10" w.c. (w/subranges)
- 2500 = 0-25" w.c. (w/subranges)
- 1250Pa = 0-1250Pa (w/subranges)
- 2500Pa = 0-2500Pa (w/subranges)
- 6250Pa = 0-6250Pa (w/subranges)

Accuracy

1 = 1% of selected range

Display

L = LCD
X = No Display

Duct Probe

P = Duct Probe
X = No Probe

Example part number P5-0500-1LP is universal pressure sensor, 0-5" full scale range (selectable sub-ranges) with LCD and Duct Probe.

Additional Remote probe

RP-6 Remote/duct probe, 6"

- RP-6 remote probe with integrated dampener for accurate measurements.
- Accepts both 1/8" and 1/4" tubing.
- Note: One probe is standard with product

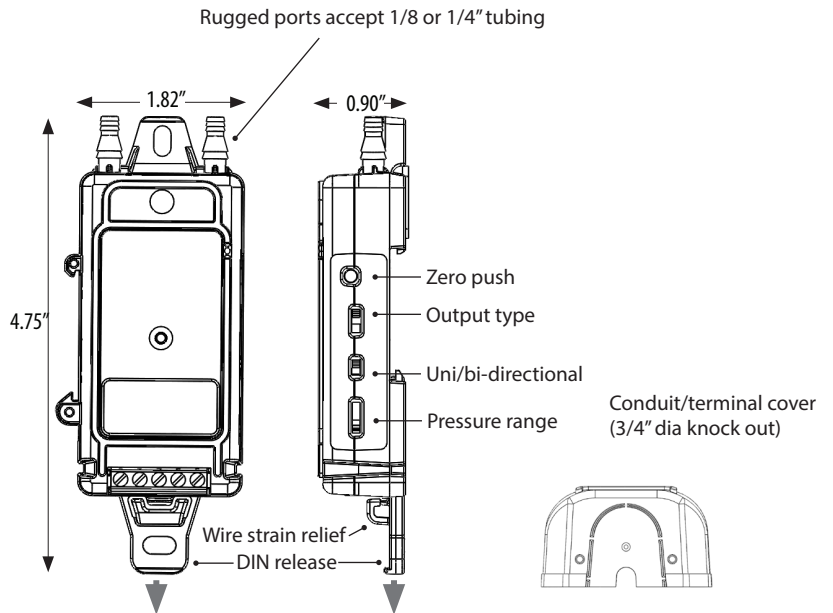


Integrated dampener for stable readings

SPECIFICATIONS

Power Supply		12-30VDC/24VAC(1), 30mA max
Output type	Selectable outputs	4-20mA loop powered, 4-20 mA 3-wire, 0-5VDC, 0-10VDC
Output scaling	P5-0500	0-5" (Selectable 0.1, 0.25, 2.5, 5.0" WC)
	P5-1000	0-10" (selectable 1.0, 2.5, 5.0, 10" WC)
	P5-2500	0-25" (selectable 5.0, 10, 15, 25" WC)
	P5-1250Pa	0-1250 Pa (selectable 25, 50, 625, 1250 Pa)
	P5-2500Pa	0-2500 Pa (selectable 250, 625, 1250, 2500 Pa)
Operating Temperature	Operating range	-4 to 185F (-20 to 85C)
	Compensated range	32 to 122F (0 to 50C)
Media compatibility		Dry, oil-free air, N2
Sensor Type		MEMS silicon piezoresistive; precision calibrated
Sensor Performance	Accuracy	±0.25% BFSL (Best fit straight line)
		±1.0% of selected range (combined linearity and hysteresis)
	Zero Drift (1 year)	1% max
	Auto-zero input	Push-button and contact closure
Agency	Compliance	CE, RoHS

(1) One side of transformer secondary is connected to signal common. Dedicated transformer is recommended.



TYPICAL WIRING

